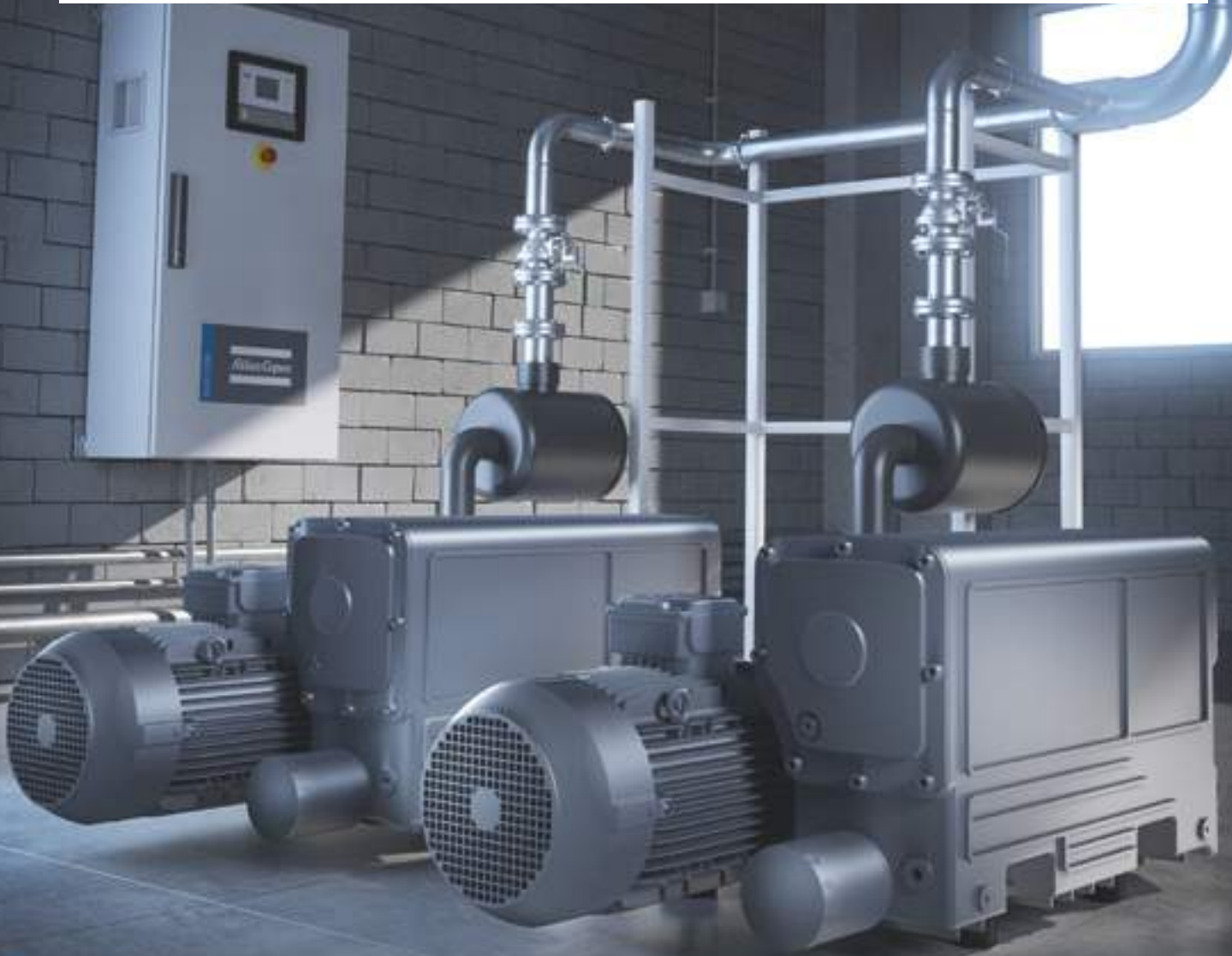


# *Oil-sealed rotary vane vacuum pumps*



*Atlas Copco*

GVS 16-630 A, 16-840 m<sup>3</sup>/h, 11-494 cfm



A detailed, close-up photograph of a metallic vacuum pump component, likely a rotary vane pump. The image shows a circular flange with a central opening and several bolt holes around its perimeter. The lighting is dramatic, highlighting the metallic textures and the precision engineering of the part. The background is dark and out of focus, emphasizing the mechanical details of the pump.

## ***Atlas Copco – Your vacuum specialist***

At Atlas Copco we have been developing state-of-the-art vacuum pumps for many years, utilizing our core technologies. We constantly aim to innovate, improve performance and target new application areas. The characteristics of our oil-sealed rotary vane vacuum pumps complement those that have made Atlas Copco the stand-out worldwide supplier of air solutions: high quality, impressive reliability and low lifecycle cost.



## **Robust technology**

The GVS 16-630 A series operates according to the proven oil-sealed rotary vane principle that has been successfully used for many years in all general industrial vacuum applications. The GVS 16-630 A series is a robust and highly regarded product coming from a technologically advanced market leading design.

## **Innovative features**

Atlas Copco has packed the GVS 16-630 A range with innovative features that ensure the highest possible performance at the lowest possible lifecycle cost. The built-in gas ballast valve is fitted as standard to assist in water vapor handling capability. Other functions include the lubricant retention and return mechanism which means that these machines are suitable for continuous operation between atmospheric pressure and their ultimate pressure. The integrated bypass valve in the exhaust filters protects the pump against over pressurization.

## **Clean and efficient**

The oil separation circuit of the GVS 16-630 A has been optimized to minimize oil vapors in the exhaust gas. The inlet non-return valve protects the vacuum pump against counter rotation in the event of stopping without venting. This device also protects the point of use against back sucking of oil.

## Ideal for all your vacuum needs

Providing highly efficient vacuum pumping performance, the GVS 16-630 A series is ideal for critical applications in packaging, woodworking, rubber, plastics, electronics, paper & printing, material handling and other exacting industries. Moreover, with ten models offering pumping speeds of between 16 and 840 m<sup>3</sup>/h (at 60 Hz), you will definitely find the right model for your specific application.



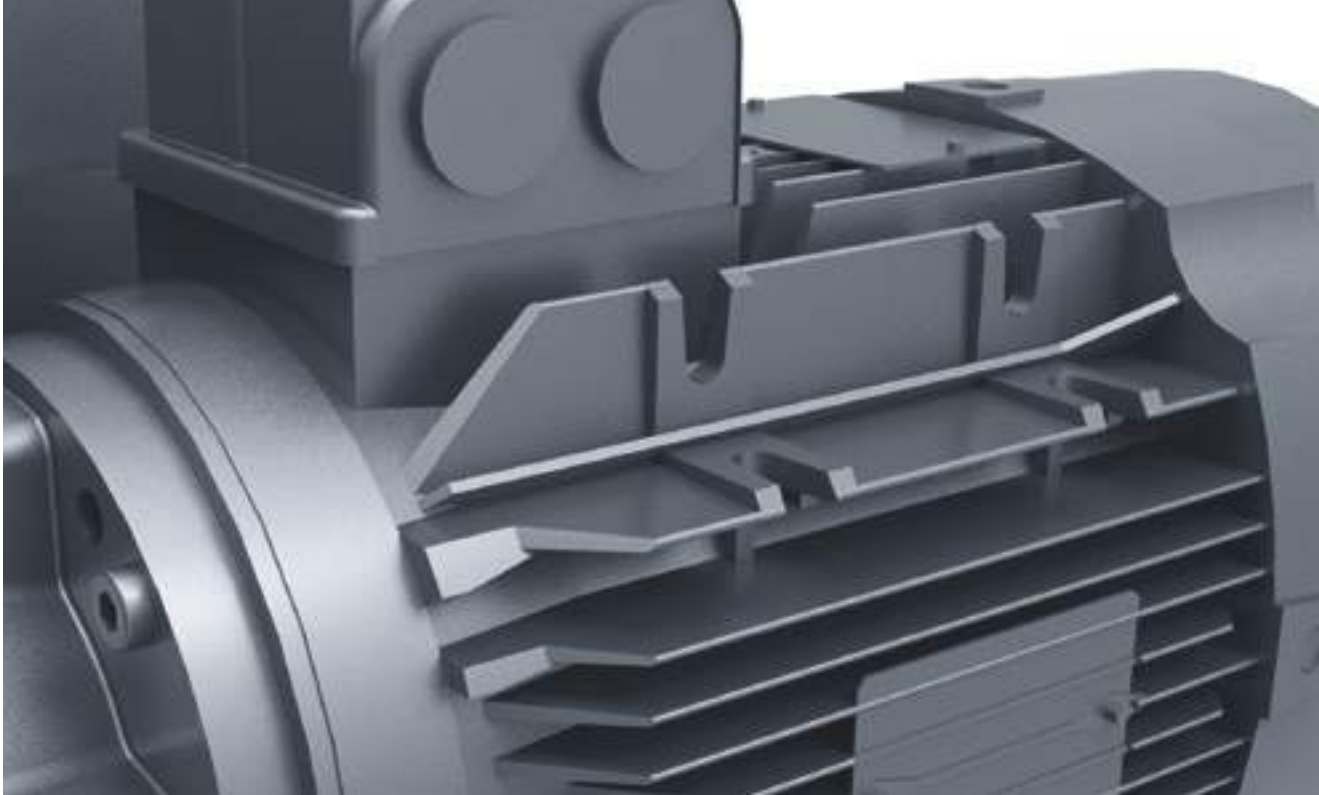
### Benefits you can count on

- Easy to install due to compact, space-saving design.
- High reliability through a rugged design and optimal oil retention at all operating pressures.
- Low maintenance and wear due to optimally selected shaft speeds.
- Low noise and vibration levels throughout the pressure range.
- Our coolest pump temperatures on the market allow a longer oil lifetime.

### Ready to use

GVS 16-630 A rotary vane vacuum pumps come complete with all the options and accessories you are likely to need for general rough vacuum applications. In case you have a unique vacuum need, please ask the Atlas Copco representative to help you select the best solution.





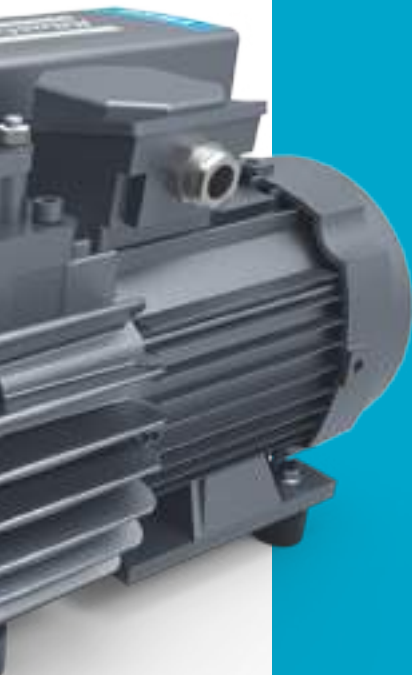
## *A multitude of applications*

GVS 16-630 A oil-sealed rotary vane vacuum pumps are perfect for a range of demanding applications:

- **Packaging:**
  - Food processing: general packaging, cheese processing, vacuum cooling of produce.
  - Meat packing: fresh and cooked meats, poultry, tumbling, filling and sealing.
- **Woodworking:**
  - CNC cutting and routing, loading and unloading systems.
- **Rubber and plastics:**
  - thermoforming applications, extruder barrel degassing, mold degassing, material handling.
- **R&D systems:**
  - central laboratory vacuum.
- **Electronics:**
  - pick and place components, PCB manufacture, central vacuum systems.
- **Material handling:**
  - vacuum lifting, pick and place, bulk material transfer, pneumatic conveying, bottling, canning, vacuum sewage.
- **Paper and printing:**
  - presses (sheet fed, offset, etc.), bindery equipment including stitching lines and perfect binding, newspaper production, envelope machines.
- **Medical vacuum:**
  - various evacuation duties.
- **Environmental:**
  - ground remediation etc.
- **Modified atmosphere packaging:**
  - the oxygen variants of the pumps

The GVS A is also suitable for high water content duties, for applications such as plastics, clay molding, drying pipelines, salad cooling, freeze drying etc.

In case your application is not listed or you are considering whether your application will produce the benefits often associated with centralizing your vacuum supply, please contact your local Atlas Copco representative to discuss the suitability of the GVS A range of vacuum pumps for your specific application.



# Scope of supply

Your vacuum pump comes complete with all you require for a vast number of applications.

Oil separator

Gas ballast

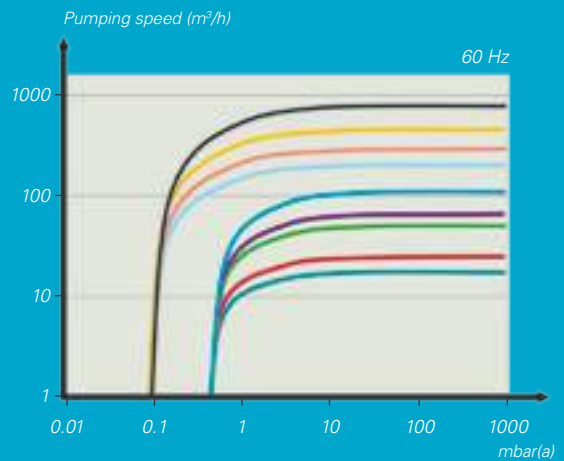
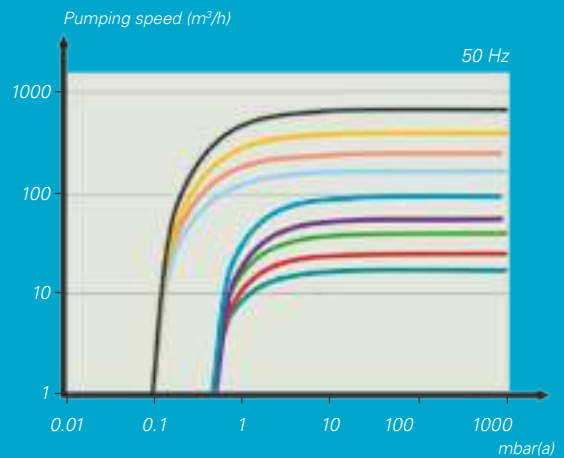
Motor

Inlet non-return valve

Shipped with oil



## Performance curves\*



- GVS 630 A
- GVS 470 A
- GVS 300 A
- GVS 200 A
- GVS 100 A
- GVS 60 A
- GVS 40 A
- GVS 25 A
- GVS 16 A

\* With gas ballast closed.  
 Pump performance measured at the inlet pressure and 20°C. Accuracy is +/- 10%.



# Technical specifications

PUMP TYPE Oil sealed rotary vane	Pumping speed		Ultimate pressure		Motor size				Water vapor handling capability			Motor supply specification
	m³/h	cfm	mbar(a)	Torr	1 ph		3 ph		Vapor limit			
					kW	hp	kW	hp	mbar	Torr	kg/h	
GVS 16 A	16	9	0.5	0.4	0.75	1	0.75	1	15	11	0.05	1 - 200-240V 50Hz / 3 - 200-240, 380-415V 50Hz
	19	11	0.5	0.4	0.9	1.2	0.9	1.2	15	11	0.05	1 - 200-240V 60Hz / 3 - 200-240, 380-460V 60Hz
GVS 25 A	25	15	0.5	0.4	0.75	1	0.75	1	15	11	0.08	1 - 220-230V 50Hz / 3 - 200-240, 380-415V 50Hz
	29	17	0.5	0.4	0.9	1.2	0.9	1.2	15	11	0.08	1 - 220-230V 60Hz / 3 - 200-240, 380-460V 60Hz
GVS 40 A	44	26	0.5	0.4	1.1	1.5	1.1	1.5	30	23	0.76	1 - 200-240V 50Hz / 3 - 230, 400V 50Hz / 3 - 220-230,380-400V 50Hz
	53	31	0.5	0.4	1.5	2	1.5	2	30	23	0.76	1 - 200-240V 60Hz / 3 - 230, 400V 60Hz / 3 - 190-240,380-460V 60Hz
<b>Oxygen variant available (3)</b>												
GVS 60 A	59	35	0.5	0.4	-	-	1.5	2.2	30	23	1	3 - 230, 400V 50Hz / 3 - 220-230, 380-400V 50Hz
	71	42	0.5	0.4	-	-	1.8	3	30	23	1	3 - 230, 460V 60Hz / 3 - 220-230, 380-460V 60Hz
GVS 100 A (1)	98	57	0.5	0.4	-	-	2.2	3	30	23	1.6	3 - 230, 400V 50Hz / 3 - 220-240, 380-415V 50Hz
	117	69	0.5	0.4	-	-	3.5	5	30	23	1.6	3 - 230, 460V 60Hz / 3 - 220-230, 380-460V 60Hz
GVS 150 (1)(2)	151	89	0.1	0.08	-	-	3.3	4.4	11	8	1.4	3 - 230, 400V 50Hz
	181	107	0.1	0.08	-	-	3.7	5	11	8	1.4	3 - 208-230V 60Hz / 3 - 265, 460V 60Hz
GVS 200 A (1)	180	106	0.1	0.08	-	-	4	6	30	23	3.4	3 - 200-240V 50Hz / 3 - 220-240, 380-415V 50Hz / 3 - 400V 50Hz
	220	130	0.1	0.08	-	-	5.5	7.5	30	23	3.4	3 - 440-460V 60Hz / 3 - 208-230, 460V 60Hz / 3 - 200-230, 380-460V 60Hz
GVS 300 A (1)	280	165	0.1	0.08	-	-	5.5	7.5	10	8	1.3	3 - 200-240V 50Hz / 3 - 220-240, 380-415V 50Hz / 3 - 400V 50Hz
	340	200	0.1	0.08	-	-	6.3	8.6	10	8	1.3	3 - 440-460V 60Hz / 3 - 208-230, 460V 60Hz / 3 - 200-230, 380-460V 60Hz
GVS 470 A	470	277	0.1	0.08	-	-	9.2	12	15	11	5	3 - 400V 50Hz / 3 - 200-240, 380-415 50Hz
	570	366	0.1	0.08	-	-	11	15	15	11	5	3 - 230, 440-480V 60Hz / 3 - 200-230, 380-460V 60Hz
GVS 630 A	700	412	0.1	0.08	-	-	15	20	40	30	17	3 - 400V 50Hz / 3 - 200-240, 380-415 50Hz
	840	494	0.1	0.08	-	-	18.5	25	40	30	17	3 - 230, 440-480V 60Hz / 3 - 200-230, 380-460V 60Hz

(1) Variant also available without motor

(2) Previous GVS range, no oxygen variant on this size.

(3) Oxygen variants will have an ultimate pressure of 1 mbar(a)/0.8 torr



## ***COMMITTED TO SUSTAINABLE PRODUCTIVITY***

We stand by our responsibilities towards our customers, towards the environment and the people around us. We make performance stand the test of time. This is what we call – Sustainable Productivity.



[www.atlascopco.com](http://www.atlascopco.com)

The Atlas Copco logo, consisting of the brand name 'Atlas Copco' in a stylized font, flanked by two horizontal bars above and below it.